

HDMI to DVB-T (COFDM) stand alone home digital mini modulator

MOD-HDTV MINI

MOD Series



The **MOD-HDTV MINI** is a high quality DVB-T "Home" indoor digital modulator which accepts one HDMI signal source and converts it into one RF DVB-T channel on its output. The excellent specs (Full HD 1920*1080-30p) and modulation quality (MER~35dB) renders the **MOD-HDTV MINI** the economic and ideal solution for distributing HD signals coming from e.g. a laptop or CCTV system in a domestic coax network using the DVB-T technology.

The user has the ability to control the device by either using the onboard SSD (**S**even **S**egment **D**isplay) interface and keypad for quick installation or by using the USB interface with the appropriate software, available on FRACARRO website for download, accompanying the MOD-HDTV for advance programming.

Main Specifications (*)

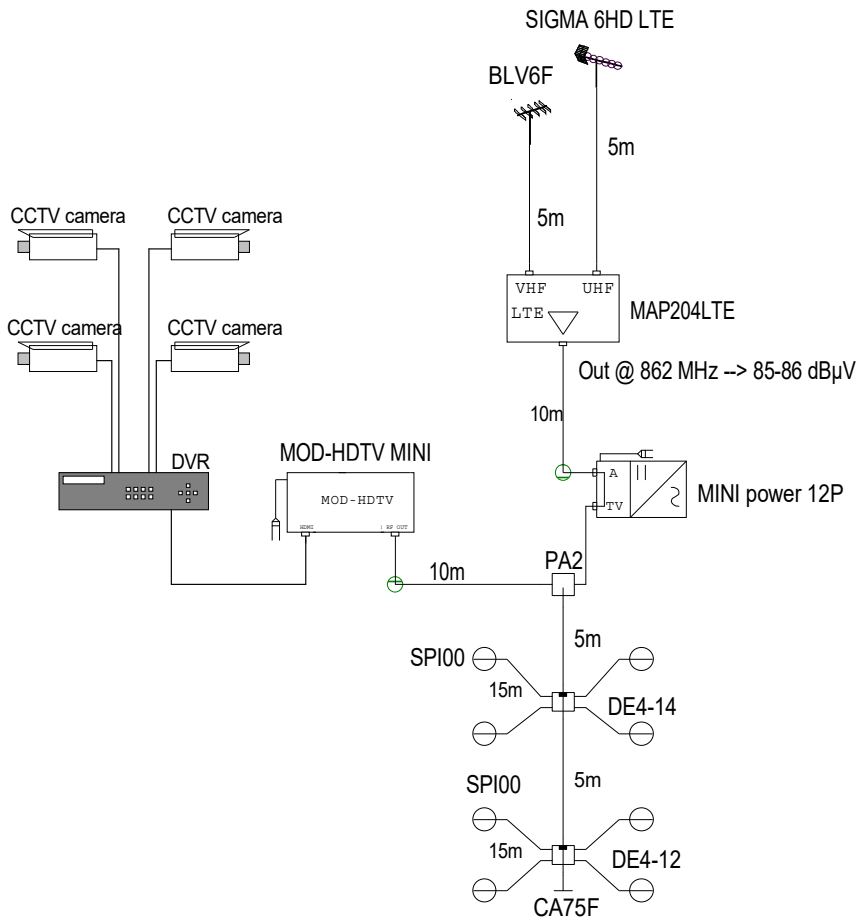
- **High Quality HD modulator:**
 - o HD source encoding (**MPEG-4 AVC/H.264**)
 - o High resolution (up to **1920x1080-30p** for HDMI)
 - o High bitrate (up to 19Mb/s)
 - o **35dB of typical MER** on UHF channels
- **Easy installation and start-up:** the user is able to install very quick and easy the digital modulator using the **Seven Segment Display** and the front panel keypad of the device.
- **Digital RF attenuator embedded.** The user is able to select between three different attenuation in order to adjust RF output level: 0, 10 and 25dB that correspond respectively to 90, 80 or 65dBuV output level.
- **Advanced settings:** by using the software it's possible to manage all the descriptor parameters of the digital mux (ONID, NetID, Provider Name) and of the program parameters (for ex. LCN, SID, PID).
- **USB Interface for advanced settings:** provides a USB interface with the appropriate software for advanced programming (please refer to Fracarro website support section)

		MOD-HDTV MINI (*)
Fracarro code		287406
Input		
N° input	N°	1 x HDMI (Type A)
Video specs		
Video encoding		MPEG-4 AVC/H.264
Bitrate	Mb/s	1 ÷ 19 (adjustable)
Profile		High profile 4.0
Resolution		1920x1080-30p for HDMI
Audio Specs		
Standard		HDMI
Bitrate	Kbps	MPEG-1 Layer II, AAC, AC3
Level	Vpp	64, 96, 128, 192, 256, 320, 384
		0.5 ÷ 1 (adjustable)
Output Modulation		
N° of generated mux	N°	1
Trasmission standard		DVB-T (EN300744)
Bandwidth	MHz	6, 7, 8
Carriers		2k, 8k
Modulation		QPSK, 16-QAM, 64-QAM
Guard interval		1/4, 1/8, 1/16, 1/32
FEC		1/2, 2/3, 3/4, 5/6, 7/8
RF Output		
Output frequency	MHz	174÷230, 470÷862
Output channels		E5÷E12, E21÷E69
Output step tuning	KHz	1
Maximum RF output level	dBµV	90
Output level adjustment	dB	0, 10, 25 (digital RF output attenuators)
Impedence	Ohm	75
Typical Output MER	dB	35@UHF band

		General features (*)
Power Supply	Vdc, mA	12, 340max
Connectors	Type	1 x F female (RF), 1 x HDMI (digital input), USB (advanced settings via software)
Configurable parameters		Service Name, Service ID, Video PID, Audio PID, PMT PID, TS ID, Original Network ID, Network ID, Provider Name
LCN support		Yes (Nordig, ITC/UK, EICTA/Europe, New Zealand)
Dimensions (L.x W.x H)	mm	205x102x41
Operating temperature	°C	0 ÷ +50
Weight	Kg	0.3

(*)Definitive specifications may change without notice.

Installation Example



The **MOD-HDTV MINI** the ideal solution for distributing HD signals coming from e.g. a laptop or CCTV systems (with HDMI output available) in a domestic coaxial network

All the advanced settings can easily be done by connecting the **MOD-HDTV MINI** to the laptop and using the client software available on Fracarro website for download (USB patch cable not included).

