

Fibre Optic Transmitter OPT-TX51



Fibre optic transmitter with 5 RF inputs (4 satellite and 1 terrestrial) and 1 fibre output.

It is part of the new range of optical transmitters and receivers for the distribution of satellite and terrestrial signals over standard single-mode fibre. These products are ideal for covering long distances and repositioning system headends.

An OPT-RX51 receiver is used in a system with the OPT-TX51 transmitter. Auxiliary input/output enables the use of additional services (Ethernet, TVCC...) within the same installation.

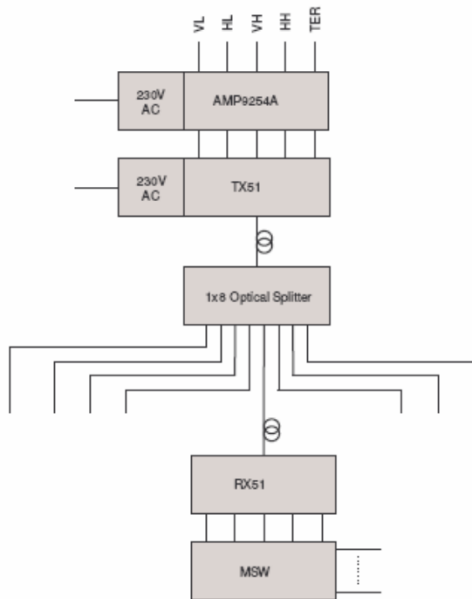
Main Specifications

- 4 satellite polarities (950-2200MHz) and terrestrial bandwidth (47-862MHz) transmitted using only 1 fibre
- HD compliant
- DVB-S, DVB-S2, DVB-T and DVB-T2 compliant
- Compliant with analogue signals*
- Auxiliary input/output for additional services/devices (Ethernet/TVCC/...)
- Can supply up to 300mA on SAT inputs
- High optical budget
- High RF input level
- Systems designed easily with the user friendly table

PRODUCT	OPT – TX51	
Fracarro code	270689	
Inputs/Outputs		
RF inputs	No.	4 SAT + 1 TV
Optical output	No.	1
Auxiliary input/output	No.	1
RF inputs connector	type	F Female 75 Ohm
Optical output connector	type	SC/APC
Auxiliary input/output connector	type	SC/APC

PRODUCT		OPT – TX51
General Parameters		
Wavelength	nm	1,260-1,600
Output power	dBm	10
Bandwidth	TV	47 - 862MHz
	SAT	950 - 2200MHz
Gain (TX51+RX51)	dB	4
Flatness (TX51+RX51)	dB	+/-2
Max. input level	dBuV	120
LNB power supply @14V	mA	300
Operating temperature	°C	-10 to +55

Simple installation example



Medium installation example

