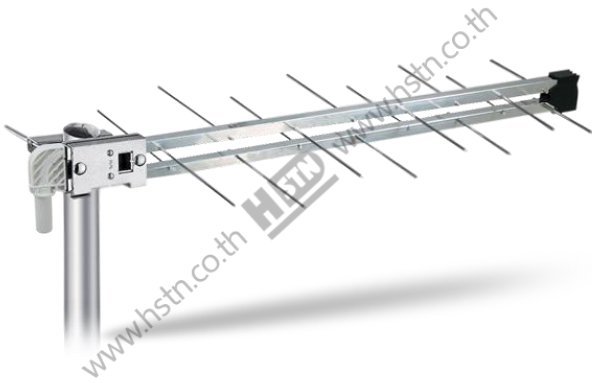


LOG ANTENNA UHF LTE LP45F LTE 700

SKU : AT0125AAX0003



Log-periodic pre-assembled aerials for #III and IV bands characterized by: extremely easy connection due to the F connector being located near the mast clamp. Due to the specific mast clamp these aerials can be assembled in vertical or horizontal polarisation without additional accessories

Main Specifications

- Preassembled Log-periodic band III and IV antennas characterized by extreme ease of connection thanks to the F connector located near the attachment to the mast.
- The care taken in the design is also reflected in the special connection of the dipole which guarantees contact reliability over time.
- Thanks to the special mast attachment, the antenna can be installed both in vertical and horizontal polarization without adapters or other accessories.
- They are equipped with excellent mechanical resistance for fixing the elements to the cradle, excellent mechanical resistance to rotation on the mast, good electrical performance.
- The F connector is protected by a connector cover with bayonet coupling.

LP45F LTE 700		
Code		216251
Elements	no.	15+15
Band		UHF
Channel		E21-E48
Bandwidth	MHz	470-694
Gain	dBi	12.5
Front/Back ratio	dB	36
Return loss	dB	-15
Beam width (-3dB)	°	±25
Wind load at 120km/h (720N/m ²)	kg (N)	3.0 (29.43)
Connector	Type	F
Impedance	Ω	75
Max mast (Ø)	mm	60
Dimensions (L x H)	cm	115 x 86
Quantity Master box	pcs	30
Unit weight	kg	0.90
Total weight	kg	27.3
Accessories		
Horizontal polarization		Included
Horizontal polarization Tilt adjustment		PV10 (210011)
Vertical polarization		Included
Vertical polarization Tilt adjustment		PV10 (210011)
Auxiliary boom		N/A