

8 DVB-T/T2 & 8 DVB-S/S2 BISS to IP Output

ACE 8T8S-IP

SKU : AD0311AGD2001

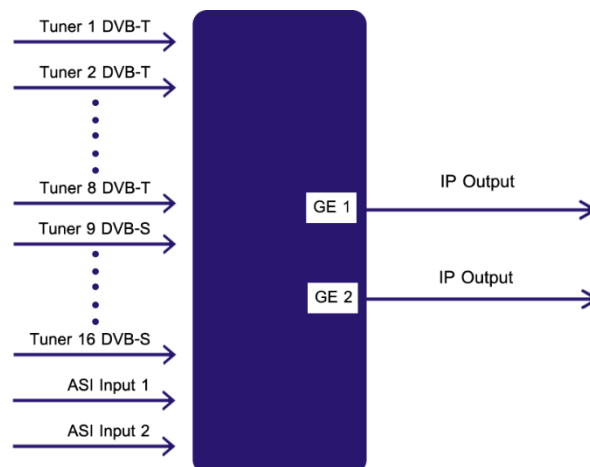


The **ACE 8T8S-IP** is a head-end interface conversion device which supports MPTS and SPTS output switchable. It supports 16 MPTS or 512 SPTS output over UDP and RTP/RTSP protocol. It is integrated with tuner demodulation (or ASI input) and gateway function, which can demodulate the signal from 16 tuners into IP package, or directly convert the TS from ASI input and tuner into IP package, then output the IP package through different IP address and ports. BISS function is also embedded for tuner input to descramble your tuner input programs.

Main Features:

- Support 8 DVB- T/T2 input, and 8 DVB- S/S2 BISS 2 ASI input
- Support BISS descrambling.
- Support DisEqc function.
- 16 MPTS or 512 SPTS output (MPTS and SPTS output switchable).
- 2 GE mirrored output, up to 850Mbps---SPTS.
- 2 independent GE output port, GE1 + GE2---MPTS.
- Support PID filtering, re-mapping (Only for SPTS output).
- Support “Null PKT Filter” function (Only for MPTS output).
- Support Web operation.

Principle Chart:



Specifications:

PRODUCT	ACE 8T8S-IP	
Input:	8 Tuners input DVB-T/T2, Input Frequency 30~1000 MHz Bandwidth 6/7/8 M	
	8 Tuners input DVB S/S2 DVB-S BISS : 950 MHz~2150 MHz, symbol rate: 2~45Mbauds DVB-S2 BISS : 950 MHz~2150 MHz, symbol rate: QPSK 1~45Mbauds, 8PSK 2~30Mbauds	
Output:	512 SPTS IP mirrored output over UDP and RTP/RTSP protocol through GE1 and GE2 port, Unicast and Multicast	
	16 MPTS IP output (for Tuner/ASI passthrough) over UDP and RTP/RTSP protocol through GE1 and GE2 port, Unicast and Multicast	
BISS Descrambling:	Mode 1, Mode E (Up to 850Mbps) (descramble individual program)	
Miscellaneous	Dimension	482mm×410mm×44mm (W×L×H)
	Approx weight	3.6kg
	Environment	0~45°C(work) ; -20~80°C (Storage)
	Power requirements	100~240VAC, 50/60Hz
	Power consumption	20W

