

5 DVB-S/S2(BISS), DVB-T/T2 Tuner & UDP/HTTP IP Input to IP Output ACE 5TCS-IP



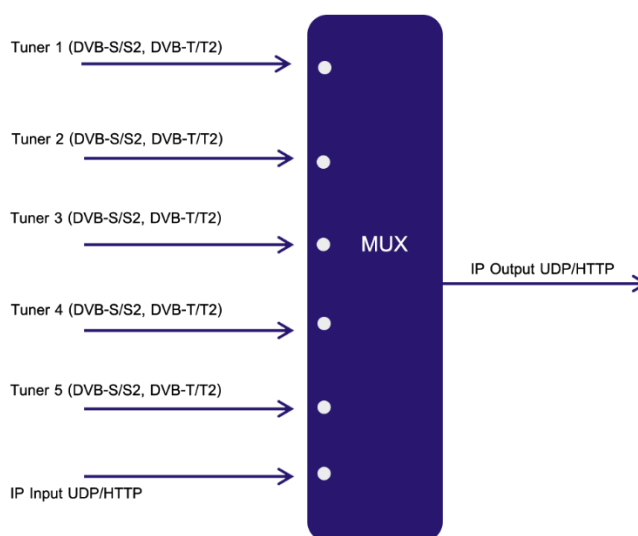
The **ACE 5TCS-IP** is Tuner Digital Modulator can receive both tuner input and IP input. The tuner input is either DVB-S/S2 or DVB-T/T2 signals, total 5 inputs (with loop output). DVB-S/S2 with BISS function is now embedded to descramble your tuner input programs. IP input is either UDP or HTTP protocol. The IP output signal is either UDP or HTTP protocol. Suitable for IPTV systems both online IPTV and Hospitality IPTV, and can be connected with IP-QAM or IP-COFDM to install in Digital MATV and Digital CATV systems.

Main Features:

- Support DVB-S/S2, T/T2 Frequency Range 950-2150 MHz. Symbol 2-45 Mbauds, QPSK,8PSK Support Biss Key Input.
- Support IP Port 100 and support Port GE output.
- Support Software Upgrading by Web and USB.
- Support Language English



Principle Chart:



Specifications:

Product		5TCS-IP
Input	DVB-S/S2 Input	Input Frequency Range 950-2150 MHz
		Symbol rate DVB-S: QPSK 2~45Mbauds
		Symbol rate DVB-S2:QPSK1~45Mbauds, 8PSK 2~30Mbauds
		Code rate 1/2, 3/5, 2/3, 3/4, 4/5, 5/6, 8/9, 9/10
		Constellation QPSK, 8PSK
	Support Biss Key	
DVB-T/T2 Input	Input Frequency Range 30MHz ~999.999 MHz	
	Bandwidth 6M, 7M, 8M	
IP Input	HTTP/UDP/Multicast Protocol <i>(Optional)</i>	
Output	IP Output	Port FE: 32 IP Multicast, Unicast over UDP Protocol 32 IP HLS, Mpeg TS, Over HTTP Protocol
		Port GE: 64 IP Multicast, Unicast over UHD Protocol 64 IP HLS, Mpeg TS, Over HTTP Protocol
System	Remote Management	NMS Control Panel
	Language	English
	Software Upgrading	Web and USB
General	Dimension(WxLxH)	482mmx300mmx44.5mm
	Weight	2.5 kg
	Temperature	0~45°C (Operation); -20~8°C (Operation)
	Power	100-240VAC 50/60Hz or 12VDC 3A <i>(Optional)</i>

