

16 DVB-S/S2 BISS to IP Output

ACE 16S-IP

SKU : AD0311ACB2001

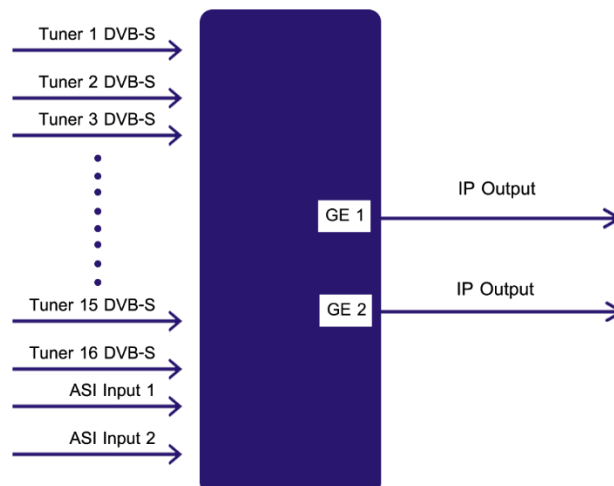


The **ACE 16S-IP** is a head-end interface conversion device. It supports 512 SPTS output with BISS function. It is also integrated with demodulation and gateway function, which can demodulate the satellite signal from 16 tuners into TS. After multiplexing the TS, then packet the TS into IP package and output the IP package through different IP address and ports. It supports IP output (UDP and RTP protocol). BISS function is now embedded to descramble your tuner input programs.

Main Features:

- Integrated with demodulation and gateway function
- Support 16 DVB-S/S2 BISS tuner input
- Support BISS Descrambling (Up to 800Mbps)
- Support accurate PCR adjusting
- Support PID filtering, re-mapping
- Support PSI/SI rebuilding and editing
- 2 GE output, maximum output bit-rate is 800Mbps (GE2 port is the copy of GE1 port)
- SPTSx512 output over UDP and RTP, unicast and multicast
- Support DisEqc function
- Support LCD display and keyboard
- Support Web operation

Principle Chart:



Specifications:

PRODUCT	ACE 16S-IP	
Input	16 tuners input DVB-S/S2 BISS DVB-S BISS : 950 MHz~2150 MHz, symbol rate: 2~45Mbauds DVB-S2 BISS : 950 MHz~2150 MHz, symbol rate: QPSK 1~45Mbauds, 8PSK 2~30Mbauds	
Output	2 GE output (GE2 port is the copy of GE1 port) UDP and RTP protocol, Unicast and Multicast 512 SPTS IP output	
BISS descrambling	Mode 1, Mode E	
Multiplexing	Support CA PID filtering, PID re-mapping PID remapping (automatically or manually) Accurate PCR adjusting Generate PSI/ SI table automatically	
Transmission Bit-rate	Maximum total bit-rate is 800Mbps	
Miscellaneous	Dimension(WxLxH)	482mmx410mmx44mm
	Approx weight	3.6kg
	Environment	0~45°C(work) ; -20~80°C (Storage)
	Power requirements	100~240VAC, 50/60Hz
	Power consumption	20W

