

4K Ultra-HD HEVC 1HDMI Encoder to 1COFDM Modulator

ACE 01UHDO-1T

SKU : AD0421IEC0281

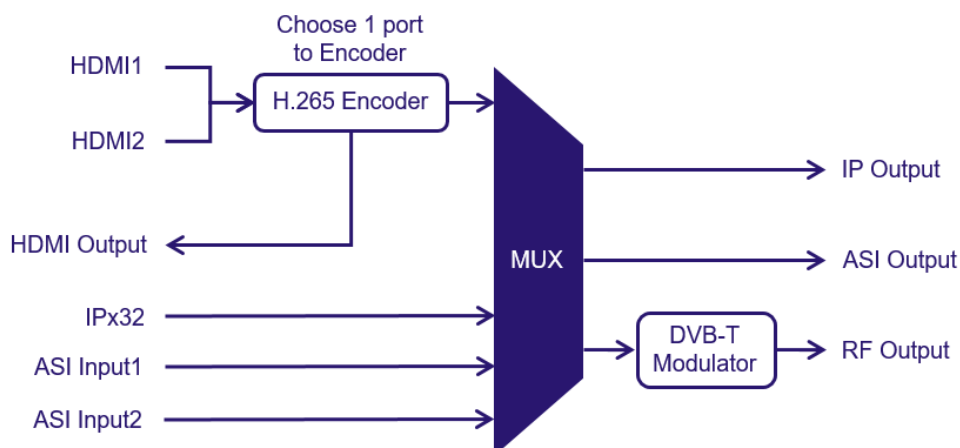


The **ACE 01UHDO-1T** is 4K Ultra-HD HEVC 1HDMI Encoder to 1 COFDM Modulator high performance 4K Digital Encoder Modulator. It integrates encoding (H.265 /HEVC and H.264/AVC), multiplexing and modulating functions in one standard 1U case. It support two HDMI (2.0) channel UHD signal input (Hot redundancy) for encoding and also 2 ASI & 32 IP input for Re-MUX. To enhance the transport capacity, it combines 1 DVB-C/T carriers output with one RF port. It is also equipped with 4 ASI ports to mirror out RF carrier and IP port to output TS in 1xMPTS.

Main Features:

- Support 2 HDMI 2.0 (Mux) input and 1 HDMI 2.0 (Loop out) output
- Support HDCP 2.2 and HDCP 1.4
- Support 2 ASI & 128 IP input (MPTS/SPTS) over UDP and RTP protocol
- Support up to 2160P 60Hz RGB/YCbCr 4:4:4 input
- Support H.265/HEVC and H.264/AVC video encoding
- Support video resolution upscale transform (1080P to 4K)
- Support CBR video bitrate mode
- Support MPEG1 Layer 2, LC –AAC audio encoding and DD AC3 Pass-through
- Support PID remapping / accurate PCR adjusting / PSI/SI editing and inserting
- Support IP (1000M/100M) Output 4 MPTS over UDP and RTP
- Support 1 TS output through 4 ASI output ports
- 1DVB-T RF Output
- Support IP null packet filter update device through web based NMS port
- Support LCD / keyboard operating and network management

Principle Chart:



Specifications:

PRODUCT	ACE 01UHDO-1T	
Input:	1xHDMI input (2.0) with 2 HDMI port, HDCP 2.2/1.4	
	2 ASI input, BNC interface	
	32 IP input over UDP and RTP protocol	
Video Input Resolution:	3840x2160_60P,3840x2160_59.94P,3840x2160_50P,3840x2160_30P, 3840x2160_29.96P,3840x2160_25P, 3840x2160_24P,1920x1080_60P,1920x1080_59.94P,1920x1080_50P, 1920x1080_30P ,1920x1080_25P 1920x1080_24P,	
Video Input Chroma:	RGB, YCbCr 4:4:4, YCbCr 4:2:2, YCbCr 4:2:0 (2160P_50/60Hz only)	
Video Encoding:	Encoding:	H.265/HEVC, H.264/AVC
	Chroma:	4:2:2, 4:2:0
	Bit-rate:	1Mbps~23Mbps
	Rate Control:	CBR
Audio Encoding:	Encoding:	MPEG-1 Layer 2, LC-AAC
	Sampling rate:	48KHz
	Bit-rate:	64Kbps~256Kbps each channel
Multiplexing:	2 ASI input multiplexed with local 1 channel of TS	
	PID remapping (automatically or manually)	
	Accurate PCR adjusting	
	Generate PSI/SI table automatically	
DVB-T Modulator:	Standard:	EN300744
	FFT mode:	2K/4K/8K
	Bandwidth:	6M, 7M, 8M
	Constellation:	QPSK, 16QAM, 64QAM
	Guard Interval:	1/4, 1/8, 1/16, 1/32
	Code rate:	1/2, 2/3, 3/4, 5/6, 7/8
	MER:	≥42dB
	RF frequency:	50~960MHz, 1KHz step
	RF output level:	-28~ -3dbm, 0.1dB Step
RF Output Port:	1xRF DVB-T Output	
Stream output:	1xASI output through 4 BNC interfaces	
	1 MPTS over UDP/RTP, 1000M/100M Base-T Ethernet interface (unicast/ multicast)	
System function:	2 versions of front panel:	
	Option1: with LCD and Keyboard;	
	Option2 without LCD or Keyboard.	
Miscellaneous:	Ethernet software & hardware upgrade	
	Dimension (Wx Lx H):	482mmx455mmx44mm
	Approx weight:	4kg
	Temperature:	0~45°C(work), -20~80°C (Storage)
	Power:	AC 100V-220V±10%, 50/60Hz
	Consumption:	25W

