



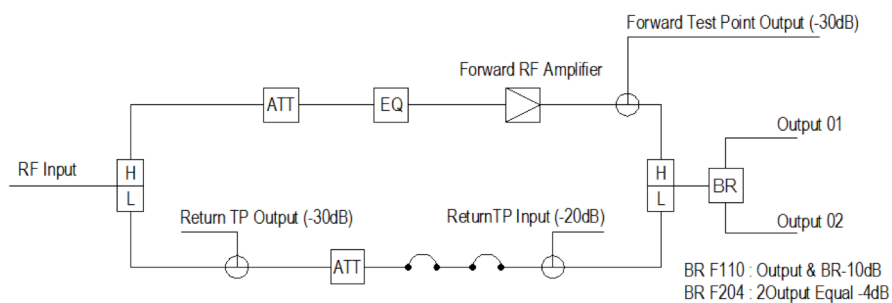
### Product Description

WF8130LI-220V Field Bidirectional Subscriber's Amplifiers are designed specifically for last "1km" of CATV Bi-Directional transmission network. These amplifiers with good indicators, low power consumption, high reliability and high performance cost ratio are suitable for medium and small-scale bidirectional CATV transmission network.

### Features

- CATV special RF modules encapsulated by SOT-115 are used as forward paths of WF8130-00 \and WF7130-000 products. The microwave low noise amplification circuits are used as backward paths of WF8130-00 and WF7130-000 products.
- It is more convenient to debug, because of plug-in duplex filters, plug-in fixed (or adjustable) equalizers, plug-in fixed (or adjustable) attenuator plug-in output splitters and scientific and rational on-line detection ports.
- The equipment can work steadily outdoor under bad environmental condition, because of waterproof aluminium case, high reliability switching power supply and lightning protection system.

### Block Daigram



Field Bi-directional Amplifiers Block Diagram

## Specification

Item	Unit	Technique Parameter
<b>Model</b>		<b>WF8130-220</b>
<b>Forward Path</b>		
Frequency Range	MHz	47/87 ~ 862
Rated Gain	dB	30
Minimum Full Gain	dB	≥30
Rated Input Level	dBμV	72
Rated Output Level	dBμV	102
Flatness in Band	dB	±1
Noise Figure	dB	≤10
Return Loss	dB	≥14
C/CTB	dB	≥ 58
C/CSO	dB	≥ 56
Group Delay	ns	≤ 10 (112.25 MHz/116.68 MHz)
Signal to Hum Ratio	%	< 2
Gain Stability	dB	-1.0 ~ +1.0
<b>Return Path</b>		
Frequency Range	MHz	5 ~ 30/65
Rated Gain	dB	12
Minimum Full Gain	dB	≥12
Maximum Output Level	dBμV	≥110
Flatness in Band	dB	±0.75
Noise Figure	dB	≤12
Return Loss	dB	≥16
Carrier to Second-order Inter-modulation Ratio	dB	≥ 52
Group Delay	ns	≤ 20 (57MHz/59MHz)
Signal to Hum Ratio	%	< 2
<b>General Characteristic</b>		
Characteristic Impedance	Ω	75
Supply Voltage	V	A : AC (135 ~ 250)
Impulse Withstand Voltage (10/700μs)	kV	> 5
Power Consumption	W	20
Dimensions	mm	235 (L) x 210 (W) x 120 (H)

## Obtaining Document

You can visit our website: <http://www.hstn.co.th> or contacts with High Solution of Television Network headquarter Sales to get the latest documents. High Solution of Television Network Co., Ltd. (HSTN) © 2009 All Rights Reserved.

All information contained in this document is subject to change without notice. The products described in this document are not intended for use in implantation or other life support applications where malfunction may result in injury or death to persons. The information contained in this document does not affect or change High Solution of Television Network product specifications or warranties. Nothing in this document shall operate as an express or implied license or indemnity under the intellectual property rights of High Solution of Television Network or third parties. All information contained in this document was obtained in specific environments, and is presented as an illustration. The results obtained in other operating environment may vary. The information contained in this document is High Solution of Television Network on "an as" is basis. In no event will High Solution of Television Network be liable for damages arising directly from any use of the information contained in this document