

Programmable Cluster filter

FIL10

DVB-T

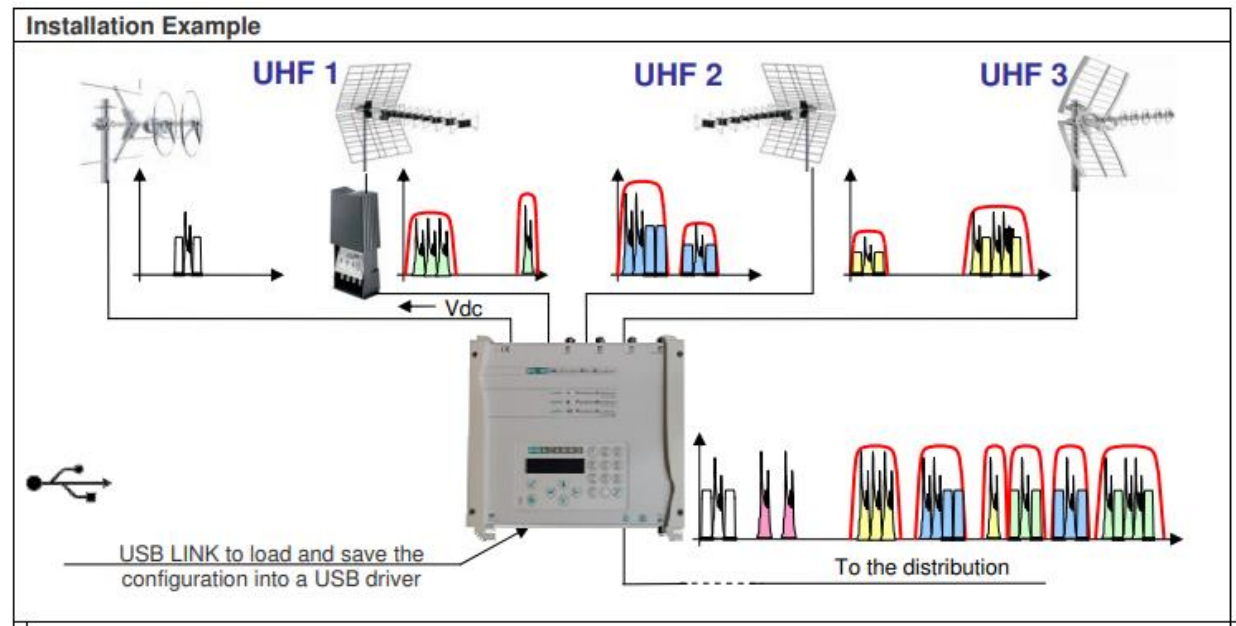
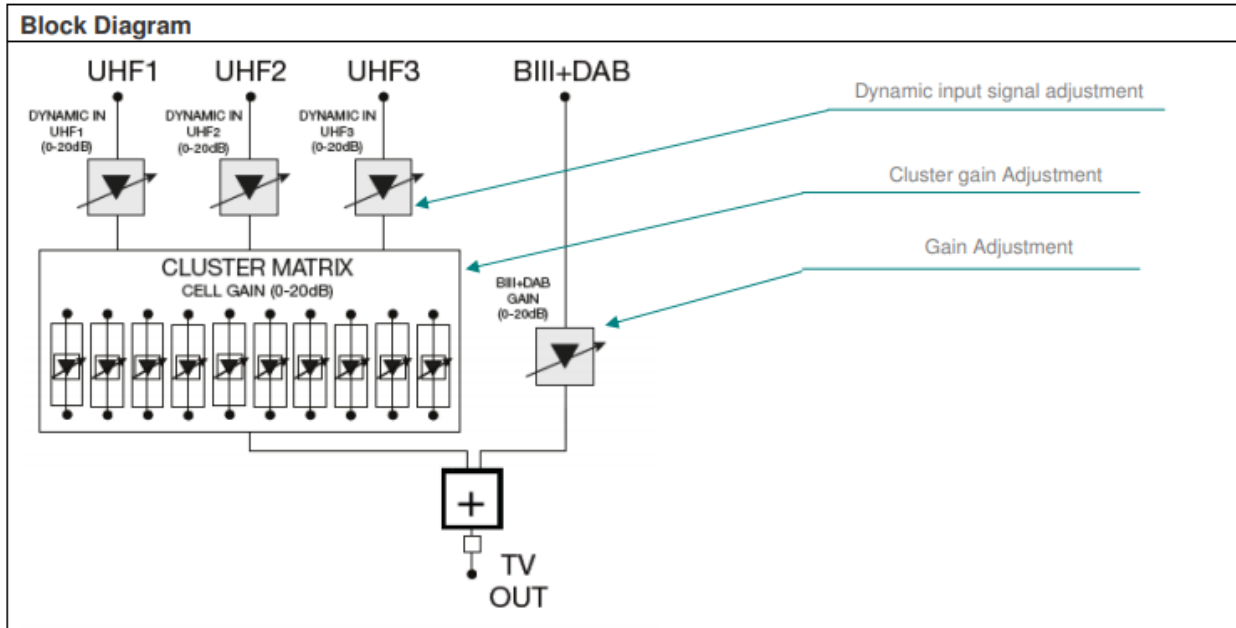


Agile multicluster filters to filter both digital and analogue channels. 10 totally flexible and programmable clusters to filter each channel in the UHF band. High selectivity enabling the equalization of the channels even with high signal variations. Simple to set up using the built in keypad and 16 x 2 display or uploading a pre-configured plan directly from a USB pen drive.

Main Specifications

- Painted metal housing maximising the endurance of the product in a stylish design Wall fixing
- Input matrix cluster selection is completely flexible allowing the allocation of the cluster filters to each UHF input
- Selectivity of the cluster filters has been doubled 20dB@10MHz
- Built in programmer for a quick and easy installation with keypad and LCD display.
- Auto-equalization function to automatically adjust all signals available on the UHF inputs.
- Natural convection cooling
- Personal computer software to preset all configuration parameters for direct upload via USB pen drive or back up for future use.

PRODUCT		FIL10	
Fracarro code		272108	
Inputs		No	4
	Input 1	Band	UHF1
	Input 2	Band	UHF2
	Input 3	Band	UHF3
	Input 4	Band	III + DAB
Output		No	1
INPUTS 1, 2, 3 Band UHF1, UHF2, UHF3			
Selectable channels		No	E21 - E69 (470 - 862)
Gain		dB	18
Dynamic input signal adjustment		dB	20
Noise figure		dB	6
Input/cluster selection		UHF1	8, 9, 10
		UHF2	5, 6, 7, 8, 9, 10
		UHF3	1, 2, 3, 4, 5, 6, 7, 8, 9, 10
Cluster bandwidth		MHz	8-48 (from 1 to 6 ch)
Cluster gain adjustment		dB	20
Cluster selectivity			20dB @ 10MHz
Maximum input level		dBuV	90
Maximum output level (IM3 -35dBc 2 tones) DTT signals only		dBuV	90
INPUT 4 Band III + DAB			
Bandwidth		MHz	174 - 300
Gain		dB	18
Gain adjustment		dB	20
Noise figure		dB	6
Maximum input level		dBuV	100
Maximum output level (IM3 -35dBc 2 tones) DTT signals only		dBuV	90
Main Features			
Configuration loading and saving			USB 2.0
Mains		Vac/Hz	220-240, 50-60
Power consumption		W	25
Remote feeding UHF inputs		V	12/24, 250/100mA max
Connectors			F female
Operating temperature		°C	-5 to +50
IP protection Standard conformity			IP20
Standard conformity			EN60065: 2004-06, EN50083-2: 2002-05



Personal computer Programming Software



USB LINK to load and save the configuration to and from a USB driver

Headend configurations can be pre-programmed using the FRPRO PC software. By saving the profile to a USB pen drive the installer can simply upload the required setup directly to any FRPRO headend unit. Existing profiles can also be downloaded from the FRPRO headend for back up or to be used elsewhere.

